

Velario[®] Slim

→ Dual-Function: Roof & Photovoltaics
 Designed and Developed in Europe
 Quality assured through third-party testing
 15 kg/m² - 30% less than common system
 Engineered for High Snow Load
 Tier 1 TOPCon cells

→ Double Seam: 100 - Year Heritage
 Exceptional Wind & Water Protection



Certificates

- IEC 61215:2021** (PV Module Reliability)
- IEC 61730:2023** (PV Module Safety)
- MCS 005** (Product certification for UK market)
- MCS 010** (Production control for UK market)
- EN 13501-5:2016** (Fire safety)

Broof (t1) by GTC
 Broof (t2) by Eurofins Expert Services Oy



reddot winner 2025
 sustainable design



Module name:
Specification 1:
Specification 2:

Velario Slim
T-2x18/180
CP/0.5/GLO/9005
HDX/0.5/GLO/9005

Contact

Roofit Solar Energy OÜ
Härgmäe 21, Tallinn 13525, Estonia
<http://roofit.solar>
info@roofit.solar

Working Conditions

Maximum System Voltage	1000 V
Ambient Temperature	-40 °C ... +40 °C
Maximum Series Fuse Rating	25A
Safety Class	Class II
Tested Positive Load	10 000 Pa = 1020 kg/m ²
Tested Negative Load	4500 Pa
Impact Resistance	HW4 - hailstone up to 40 mm in size
Minimum Roof Slope	10 degrees

Mechanical Specifications

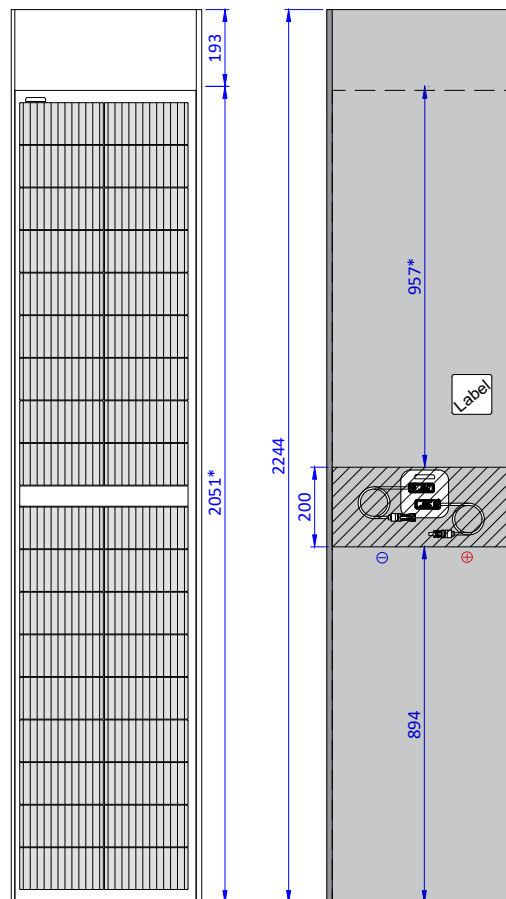
Cells	210 mm monocrystalline TOPCon 2x18 configuration
Encapsulant	POE
Front glass	3.2 mm tempered low-iron glass Gloss level 70 GU
Roofing material	
Specification 1	0.5 mm steel S280GD 255 g/m ² zinc-aluminium galvanized 65 µm Colorcoat Prisma RAL 9005 Gloss level 40 GU
Specification 2	0.5 mm steel HX220YD 275 g/m ² zinc galvanized 55 µm Granite HDX RAL 9005 Gloss level 30 GU
Junction boxes	2 bypass diodes, IP68, potted
Connectors	Stäubli MC4-Evo 2
Cables	4 mm ² H1Z2Z2-K solar cable length 500 mm
Effective roof coverage	2051 mm x 470 mm
Mounting method	Double Seam
Weight	14.6 kg (pc) = 15.1 kg/m ² (installed)

Packing

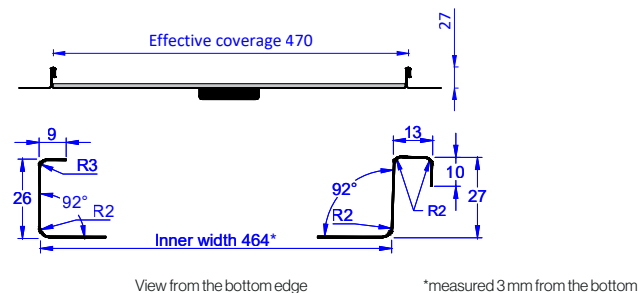
Packing Configuration	40 modules per pallet
Pallet (LxWxH)	2335 x 1105 x 840 mm
Pallet weight	770 kg

Thermal Characteristics

Temperature Coefficient of	P _{mpp}	-0.334 %/K
Temperature Coefficient of	V _{oc}	-0.259 %/K
Temperature Coefficient of	I _{sc}	0.049 %/K



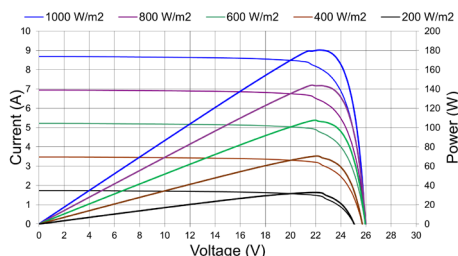
▨ No batten zone
* Gap of 10 mm between 2 modules included



Electrical Characteristics

		STC*
Nominal Power	P _{mpp} (W)	180
Open Circuit Voltage	V _{oc} (V)	26.5
Short Circuit Current	I _{sc} (A)	8.4
MPP Voltage	V _{mpp} (V)	22.8
MPP Current	I _{mpp} (A)	7.9
Module efficiency	η (%)	19.1

Power Tolerances $\pm 3\%$
Current and Voltage Tolerances $\pm 3\%$



Module name: **Velario Slim T-2x12/120**
 Specification 1: CP/0.5/GLO/9005
 Specification 2: HDX/0.5/GLO/9005

Product dimensions (units in mm)
 General tolerance: $\pm 1\text{mm} / \pm 2^\circ$

Contact
 Roofit Solar Energy OÜ
 Härgmäe 21, Tallinn 13525, Estonia
<http://roofit.solar>
info@roofit.solar

Working Conditions

Maximum System Voltage	1000 V
Ambient Temperature	-40 °C ... +40 °C
Maximum Series Fuse Rating	25A
Safety Class	Class II
Tested Positive Load	10 000 Pa = 1020 kg/m ²
Tested Negative Load	4500 Pa
Impact Resistance	HW4 - hailstone up to 40 mm in size
Minimum Roof Slope	10 degrees

Mechanical Specifications

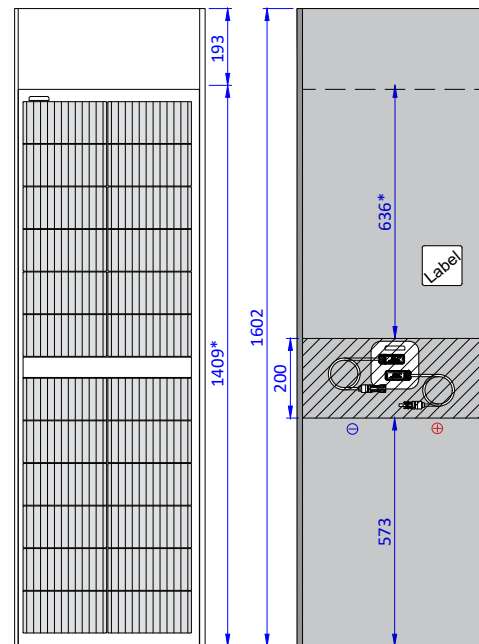
Cells	210 mm monocrystalline TOPCon 2x12 configuration				
Encapsulant	POE				
Front glass	3.2 mm tempered low-iron glass Gloss level 70 GU				
Roofing material	<table border="0"> <tr> <td>Specification 1</td> <td>0.5 mm steel S280GD 255 g/m² zinc-aluminium galvanized 65 µm Colorcoat Prisma RAL 9005 Gloss level 40 GU</td> </tr> <tr> <td>Specification 2</td> <td>0.5 mm steel HX220YD 275 g/m² zinc galvanized 55 µm Granite HDX RAL 9005 Gloss level 30 GU</td> </tr> </table>	Specification 1	0.5 mm steel S280GD 255 g/m ² zinc-aluminium galvanized 65 µm Colorcoat Prisma RAL 9005 Gloss level 40 GU	Specification 2	0.5 mm steel HX220YD 275 g/m ² zinc galvanized 55 µm Granite HDX RAL 9005 Gloss level 30 GU
Specification 1	0.5 mm steel S280GD 255 g/m ² zinc-aluminium galvanized 65 µm Colorcoat Prisma RAL 9005 Gloss level 40 GU				
Specification 2	0.5 mm steel HX220YD 275 g/m ² zinc galvanized 55 µm Granite HDX RAL 9005 Gloss level 30 GU				
Junction boxes	2 bypass diodes, IP68, potted				
Connectors	Stäubli MC4-Evo 2				
Cables	4 mm ² H1Z2Z2-K solar cable length 500 mm				
Effective roof coverage	1409 mm x 470 mm				
Mounting method	Double Seam				
Weight	10.4 kg (pc) = 15.7 kg/m ² (installed)				

Packing

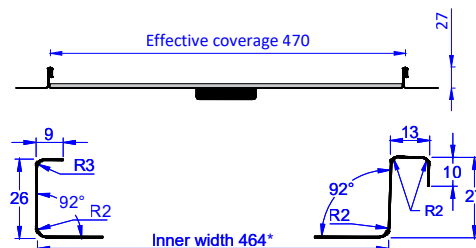
Packing Configuration	40 modules per pallet
Pallet (LxWxH)	1690 x 1105 x 840 mm
Pallet weight	540 kg

Thermal Characteristics

Temperature Coefficient of P _{mpp}	-0.334 % /K
Temperature Coefficient of V _{oc}	-0.259 % /K
Temperature Coefficient of I _{sc}	0.049 % /K



▨ No batten zone
 * Gap of 10 mm between 2 modules included

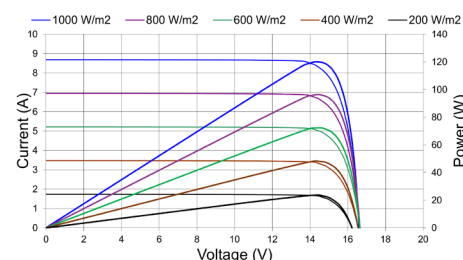


View from the bottom edge *measured 3 mm from the bottom

Electrical Characteristics

		STC*
Nominal Power	P _{mpp} (W)	120
Open Circuit Voltage	V _{oc} (V)	17.6
Short Circuit Current	I _{sc} (A)	8.4
MPP Voltage	V _{mpp} (V)	15.2
MPP Current	I _{mpp} (A)	7.9
Module efficiency	η (%)	18.6

Power Tolerances $\pm 3\%$
 Current and Voltage Tolerances $\pm 3\%$



Module name:
Specification 1:
Specification 2:

Velario Slim Snow Guard
T-2x12/120
CP/0.5/GLO/9005/SG
HDX/0.5/GLO/9005/SG

Contact

Roofit Solar Energy OÜ
Härgmäe 21, Tallinn 13525, Estonia
<http://roofit.solar>
info@roofit.solar

Workingl

Conditions

Maximum System Voltage	1000 V
Ambient Temperature	-40 °C ... +40 °C
Maximum Series Fuse Rating	25A
Safety Class	Class II
Tested Positive Load	10 000 Pa = 1020 kg/m ²
Tested Negative Load	4500 Pa
Impact Resistance	HW4 - hailstone up to 40 mm in size
Minimum Roof Slope	10 degrees

Mechanical

Specifications

Cells	210 mm monocrystalline TOPCon 2x12 configuration
Encapsulant	POE
Front glass	3.2 mm tempered low-iron glass Gloss level 70 GU
Roofing material	
Specification 1	0.5 mm steel S280GD 255 g/m ² zinc-aluminium galvanized 65 µm Colorcoat Prisma RAL 9005 Gloss level 40 GU
Specification 2	0.5 mm steel HX220YD 275 g/m ² zinc galvanized 55 µm Granite HDX RAL 9005 Gloss level 30 GU
Junction boxes	2 bypass diodes, IP68, potted
Connectors	Stäubli MC4-Evo 2
Cables	4 mm ² H1Z2Z2-K solar cable length 500 mm
Effective roof coverage	2026 mm x 470 mm
Mounting method	Double Seam
Weight	12.0 kg (pc) = 12.6 kg/m ² (installed)

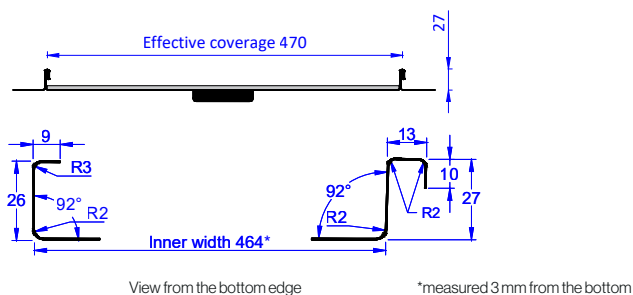
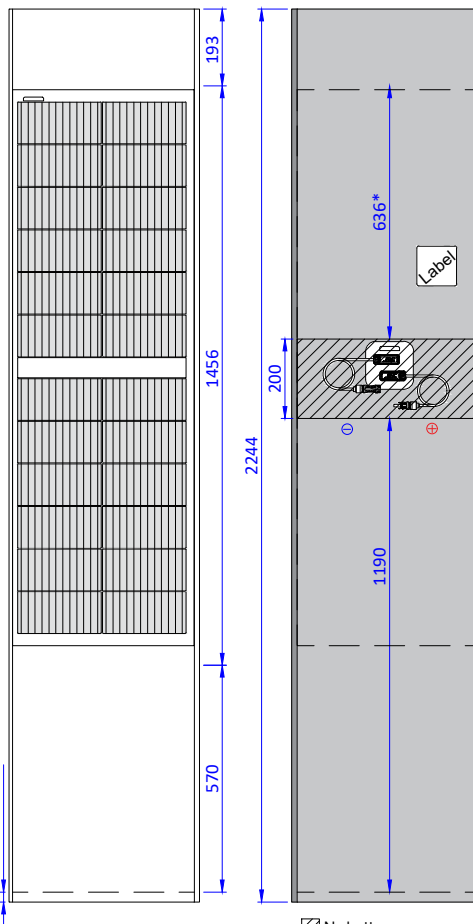
Packing

Packing Configuration	40 modules per pallet
Pallet (LxWxH)	2335 x 1105 x 840 mm
Pallet weight	650 kg

Thermal

Characteristics

Temperature Coefficient of	P _{mpp}	-0.334 %/K
Temperature Coefficient of	V _{oc}	-0.259 %/K
Temperature Coefficient of	I _{sc}	0.049 %/K



Electrical

Characteristics

		STC*
Nominal Power	P _{mpp} (W)	120
Open Circuit Voltage	V _{oc} (V)	17.6
Short Circuit Current	I _{sc} (A)	8.4
MPP Voltage	V _{mpp} (V)	15.2
MPP Current	I _{mpp} (A)	7.9
Module efficiency	η (%)	18.6

Power Tolerances $\pm 3\%$
Current and Voltage Tolerances $\pm 3\%$

